

RoHS Compliance

REV	SYM	Revision Record	Appr.	Date
V0	KLS01695	New Version Release	WuHao	2025-06-26

Material:

Housing: Aluminium Die-Cast, UL 94V-0

Surface: Powder-Coated

Colour: RAL 7037 (Grey)

Temperatures range: -40°C ~ +125°C

Degree of protection: IP65

(Acc. to IEC 60529 for coupled Connector)

Hoods/Housings Sealing: NBR

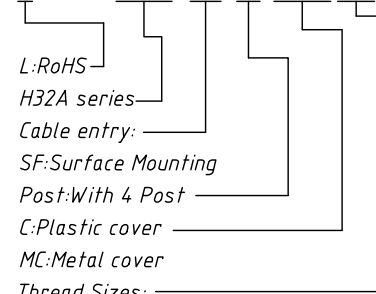
Cable Entry: Side Entry

No. Of Cable Entries: 1/2

Hoods/Housings Sealing: NBR

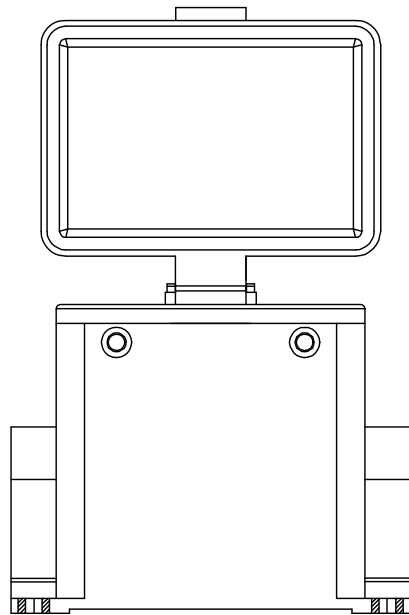
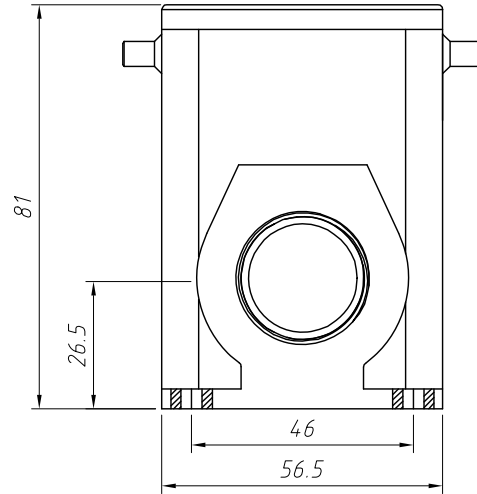
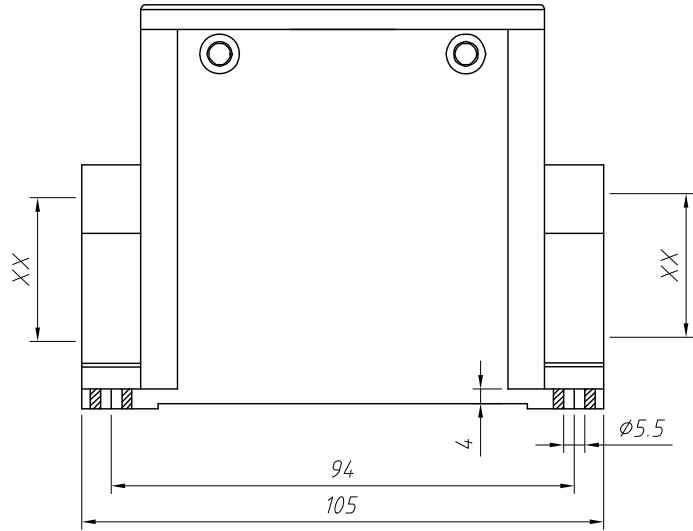
Order Information:

L-KLS1-H32A-SF-4B (XX)-XX

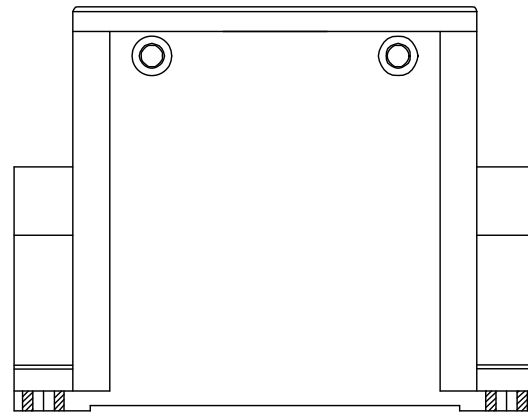


M25/M32/2M32/PG21/2PG21/PG29/2PG29

ITEM	Describe
L-KLS1-H32A-SF-4B-XX	Without cover
L-KLS1-H32A-SF-4BC-XX	With Plastic cover
L-KLS1-H32A-SF-4BMC-XX	With Metal cover



With Metal / Plastic cover



Without cover

ANGLE TOLERANCE	PROJECTION	Description:
±3°		Heavy Duty Connectors H32A Series Hoods, Surface Mounting
GENERAL TOLERANCE	UNITS	mm
x.x ±0.30	SHEET SIZE	A4
x.xx ±0.20	Draw:	WuHao 2025-07-05
x.xxx ±0.10	Check:	Daniel 2025-07-05



NingBo KLS ELECTRONIC CO.,L.TD.